

**MC** LUMINA<sup>®</sup>  
LUMINA

**NANO UVCLEAN** LED Panel  
ANTI-BACTERIAL/ VIRAL LUMINAIRE



**ANTIVIRAL | ANTIBIOSIS | AIRCLEAN**

ACTIVE AIR SANITIZING PANEL WITH UV LED

600x600 mm

### Antibiosis

# 99.9%

Sanitizing rate for certain bacteria

### Antiviral

# 99.3%

Antiseptic rate for EV.H1N1

### Air Clean

# 24HR

Non-stop air purification

## Nano UV Clean Technology

- Active decomposes H1N1, Enterovirus, bacteria x formaldehyde
- Blocking Fugus
- 24/ 7 air purification in occupied indoor spaces
- Specially design for clinics, hospitals, schools, elavators, long-term care facilites, nursing homes, any other indoor space where cleaner air is desired.



# How Nano UVClean panel works?

24H air disinfection protection through 3 mechanisms

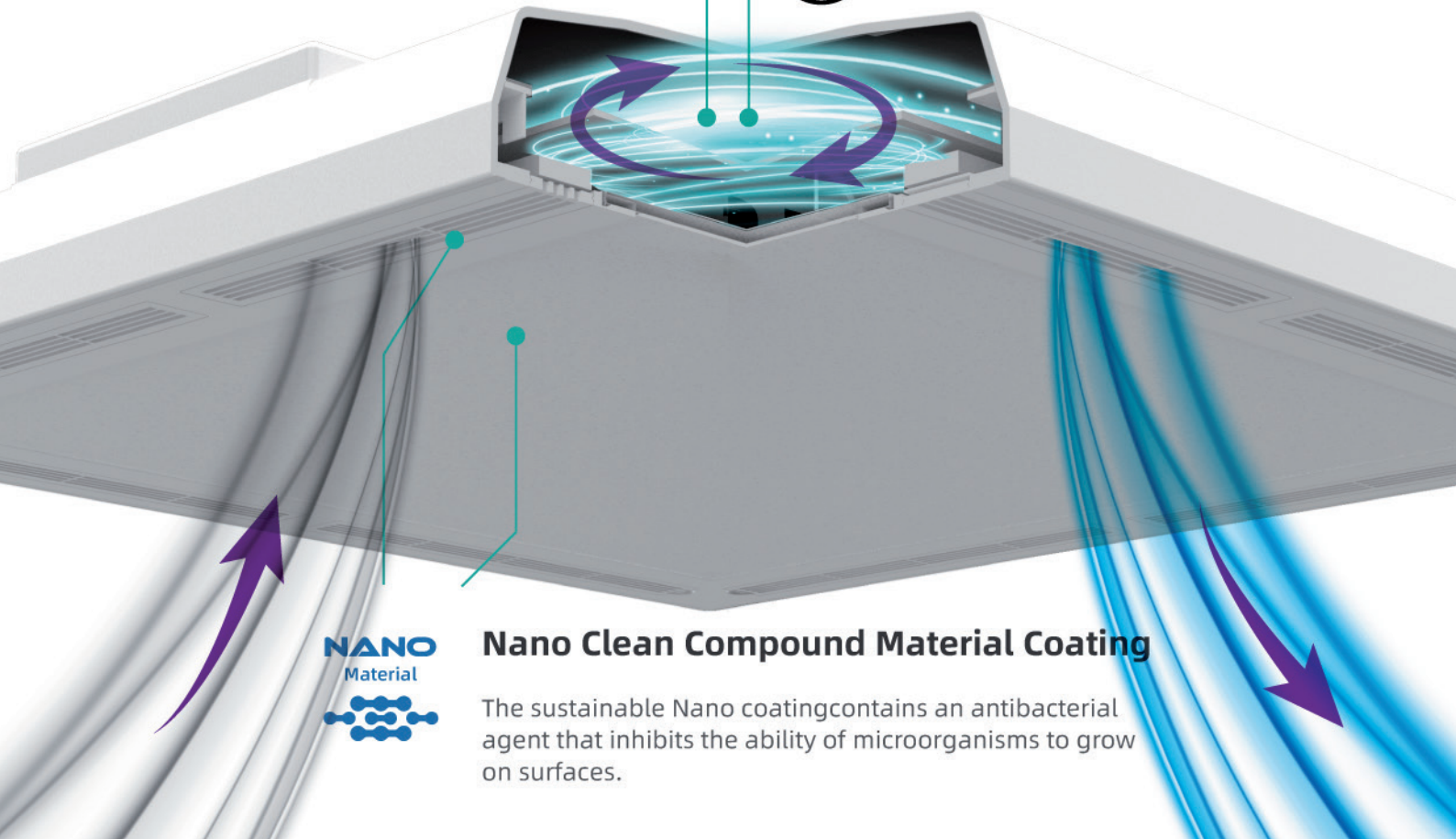
## Air Circulation

Centrifugal Industrial Fan  
Delivery air in and  
sanitized air out



## UV Photocatalyst Technology

The UV light stimulates the catalyst coating inside the air sanitizing chamber which Nano-silver react with Microbes to inhibiting reproduction.



## Nano Clean Compound Material Coating

The sustainable Nano coating contains an antibacterial agent that inhibits the ability of microorganisms to grow on surfaces.

## Fast Air Purification

Disinfects virus, bacteria & fungi on surface and air

E.coli & Staphylococcus aureus

**99.99%**

Antiseptic rate after 2hr

H1N1

**99.99%**

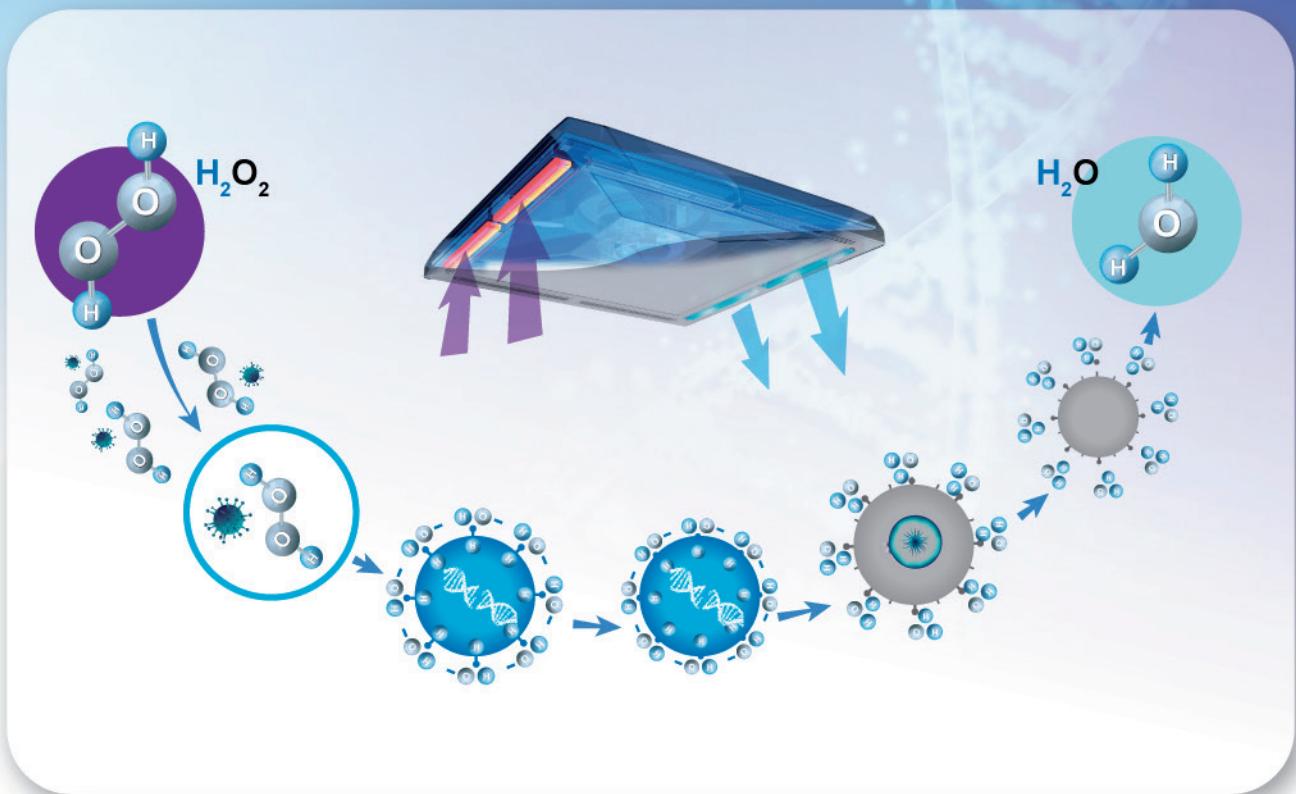
Antiseptic rate after 1hr

Air Clean

**24x7**

Non-stop air purification

# How UV NANO Clean Tech Works?



## 1. UV LIGHT AND CATALYST

The UV light stimulates the catalyst coating inside the air sanitizing chamber which Nano-silver react with Microbes to inhibiting reproduction.

## 2. DEACTIVATION OF VIRUSES

TiO<sub>2</sub> creates hydroxyl radicals , affecting its lipid membrane or proteins. These ions damage the DNA of viruses and deactivate them in the air and on surfaces.

## 3. THE VIRUS DIES

TTA surface contain charges , charge rupture cell membranes causing death.

After the loss of its infectious capacity, the virus finally dies.

**NO Chemical**

**NO Cover-ups**

**No Harm for Human,  
Animals, Plants**

# Proven by Science -Tests and Verifications



Independent laboratory tests validate UV photocatalytic oxidation's effectiveness to eradicate the following pathogens.



## Test and Verification for Anti-viral Effect of Nanometer Compound Material

Classification	Type	Effect	Tested By	Elimination Rate
Virus	H1N1	virus is eliminated after 20 mins	MicroBAC. USA	99.99%
	Enterovirus (EV)	virus is eliminated after 20 mins	MicroBAC. USA	99.99%
Environment	Formaldehyde	Antiseptic ratte after 24 hrs	Gmicro Testing. China	99.99%
	TVOC	Antiseptic ratte after 24 hrs	Gmicro Testing. China	99.99%
Bacteria	E.coli	Antiseptic rate after 2 hrs	Gmicro Testing. China	99.99%
	Staphylococcus aureus	Antiseptic rate after 2 hrs	Gmicro Testing. China	99.99%

## Test and Verification for Nano UVClean Panel

Classification	Type	Effect	Tested By	Elimination Rate
Nano UVClean Panel	E.coli	Antiseptic rate after 2 hrs	Gmicro Testing. China	99.99%
	Staphylococcus aureus	Antiseptic rate after 2 hrs	Gmicro Testing. China	99.99%
	H1N1	Antiseptic rate after 1 hrs	Gmicro Testing. China	99.3%
	Formaldehyde	Antiseptic rate after 1 hrs	SGS.China	76.61%

# PATENTS



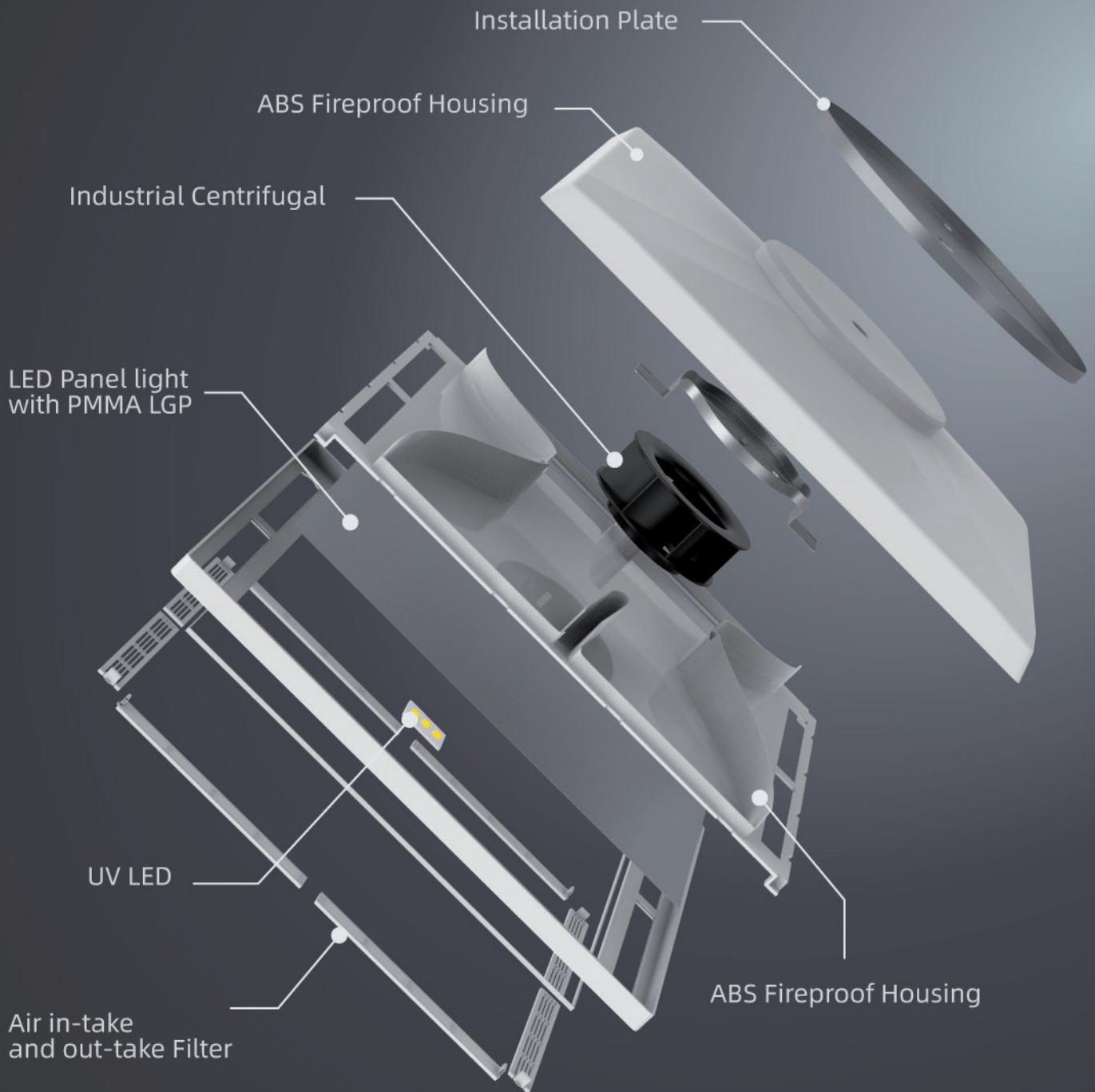
◀ Nano material invention patent in China

More Patents  
Utility Patent, PCT Global Patent Pending...

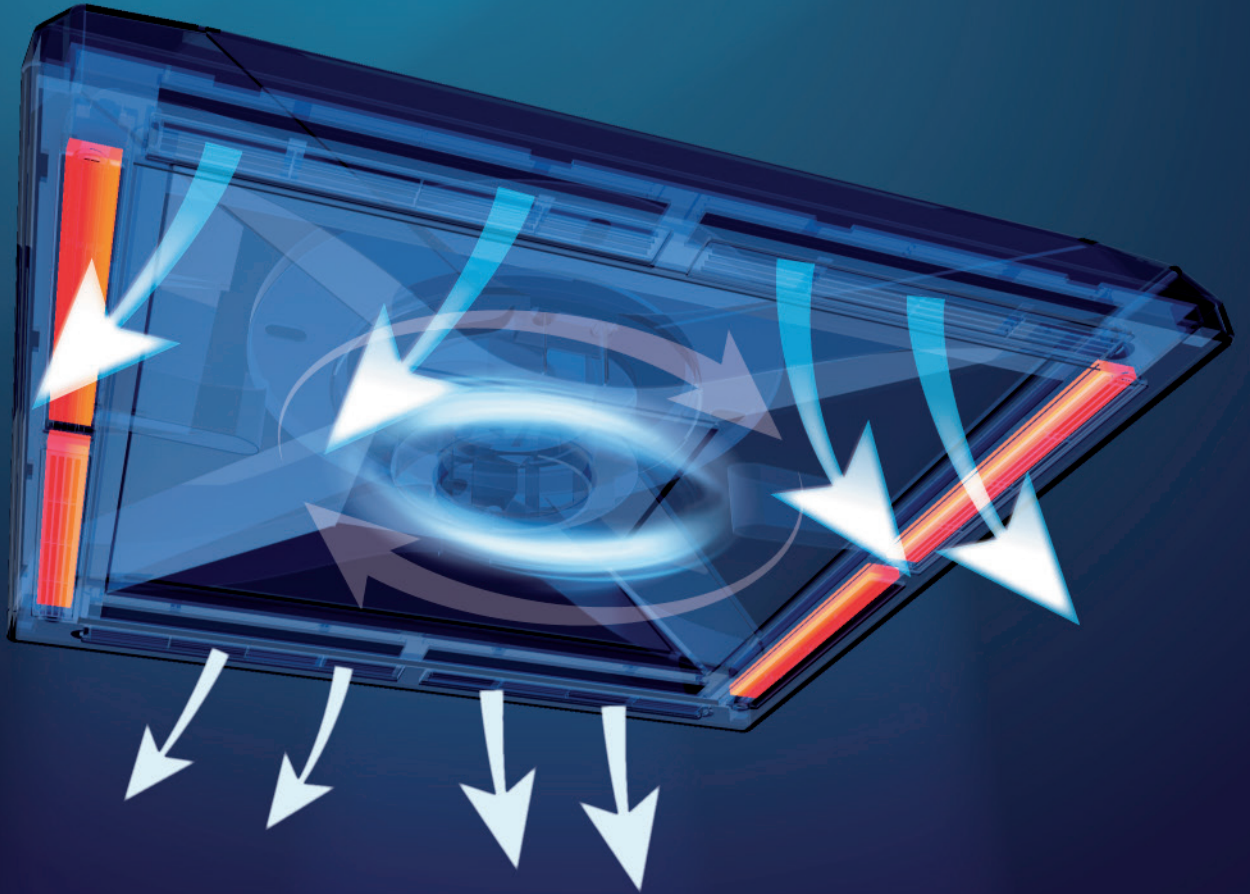
▼ European Design Patent



# Scientifically Engineered



Scientifically engineered, compacted design according to aerodynamics, thermodynamics to make sure the excellent air purification effect and lighting efficacy.



Non-Stop  
**100,000**Hrs

Medical Grade  
Life Span

Quiet Noise  
**<40**dB

Centrifugal  
Industrial Fan

Air Clean  
**24**hrs

Air sanitizing function  
with or without  
light on.



### 1st Layer:

30g/m<sup>2</sup> Covered  
Thin Non - woven Fabric

### 2nd Layer:

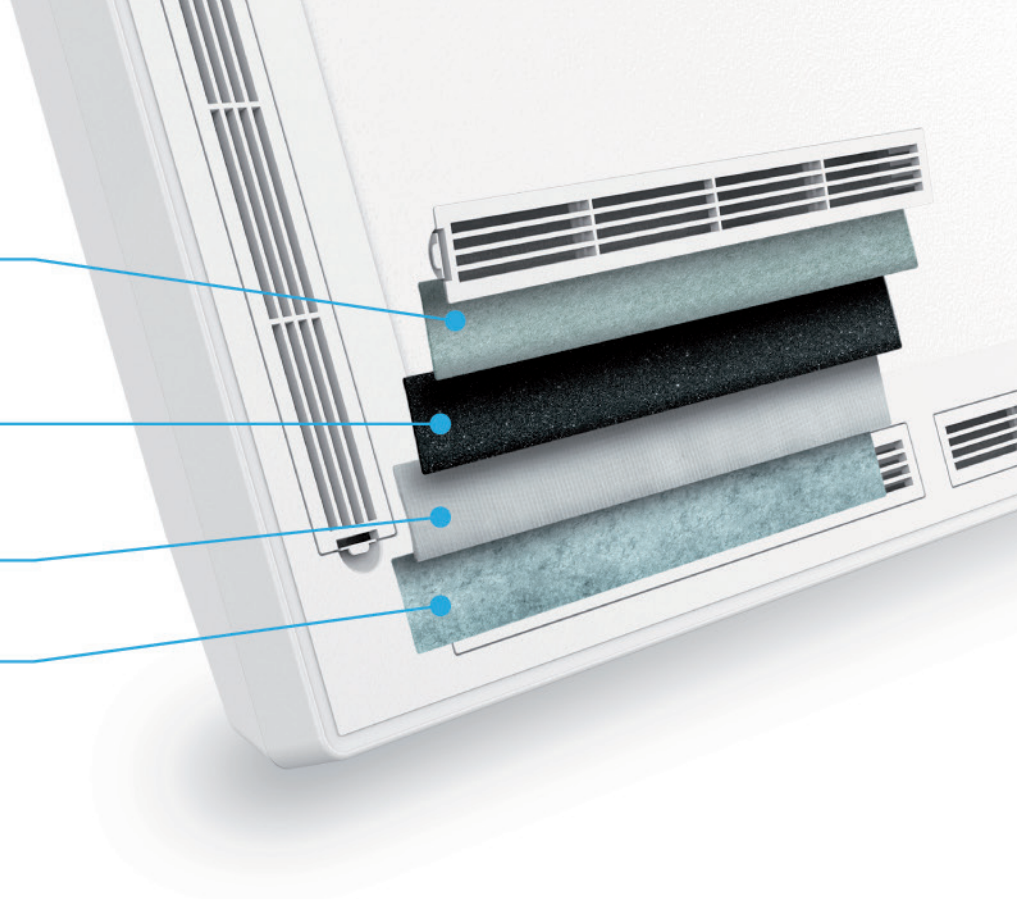
300g/m<sup>2</sup> Antibacterial  
decomposition of  
organic gases

### 3rd Layer:

180g/m<sup>2</sup> Activated  
Carbon Deodorization

### 4th Layer:

30g/m<sup>2</sup> Dust Removal



# Easy Maintenance

# 2160

Working hours  
for filter screen

8hr/d-9months

12hr/d-6months

24hr/d-3months



## How to replacement of filters

### Movement at the expiration of working hours

1. Fan power is turned off
2. Power supply of lighting system remains normal use
3. LED indicator light blinks



### Replacement of filters

1. Follow user manual instruction to remove the intake filters on the cover
2. Open the filter cover, insert new filters
3. Clip in the filter mask on the fixture

### Pressing RESET Key

1. Press the button on the left side of LED light for 4 seconds
2. Lighting is switched off, and circulatory system power restarts
3. Timer recalculates until next change hours is due.



# Applications

## Applications:

Clinic  
School  
Labortory  
Elavator  
Nursing home  
Commercial center  
Office  
& more...

### Medical areas:

Hospital, Clinic, Postnatal Care Center,  
Nursery Room, Rehabilitation Center.

### School areas:

Kindergarten, School, Tutorial Class Room.



### VIP areas:

VIP Meeting Room, CEO Office, VIP Lounges.  
Sports areas: Gym, Sports Center.

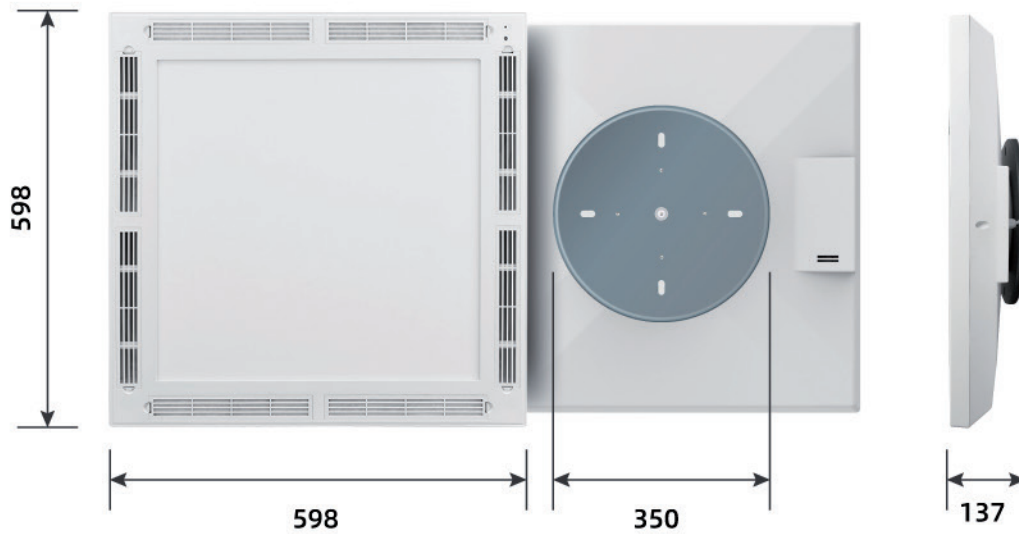


### High-Standard areas:

Pharmaceutical Factory, Semiconductor  
Manufacturing Factory.

Cleaner Air | Better Light | Safer Spaces

# Specification



Unit:mm

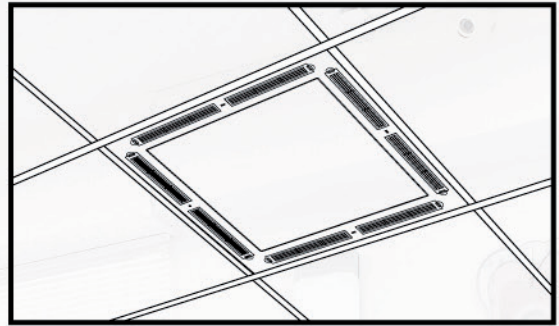
Panel Light	
Electrical Parameters	
Total Wattage	50W ( 40W LED Panel + 10W Air Clean System)
Voltage	IEC AC 200-240V   cUL AC100-277V
Lumens	4000 lm
PF	≥ 0.9
CCT	6000K   5000K   4000K   3000K
CRI	80Ra
SDCM	6 Step
Hi-pot Test Range	SELV Isolated Driver, 1500Vdc/5mA/60S
Life Span & Warranty	
Total System Warranty	3 Years
LED Panel Lifespan	50,000hrs
LED L70B50	50,000hrs
Driver Warranty	IEC Standard -3 Year cUL Standard -5 Year

Airclean System	
Electrical Parameters	
Power	10W
Voltage	200-240Vac 50/60Hz
Centrifugal Fan	DC24V
Noise	≤40dB
CADR (Clean Air Delivery Rate)	5.72m <sup>3</sup> /min
Control	By Switch
UV LED	365-405nm to accelerate photocatalyst reaction
Life Span	
Centrifugal Fan	Medical grade non-stop100,000hrs
Filters	Filter working time 2160h
	When the effective time is up, the LED indicator will light up, replace the filter screen, press the : "RESET " button, and the power supply of the circulation system will restart

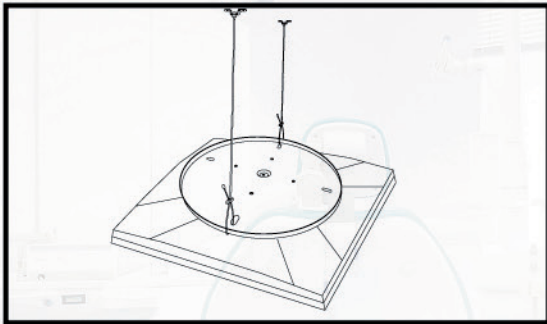
# Installation & Package

## Multiple installation method:

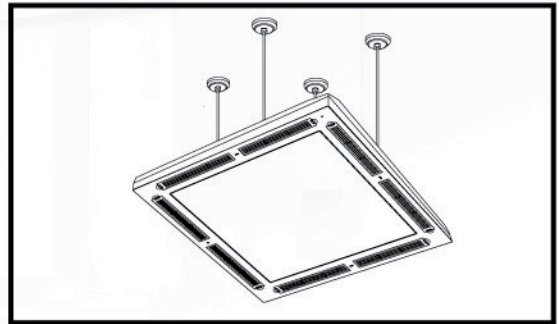
- Recessed type (in T-grid)
- Pendant (with additional wires)
- Pole Mounted (with accessories)
- Surface mounted
- Surface mounted (with frame)



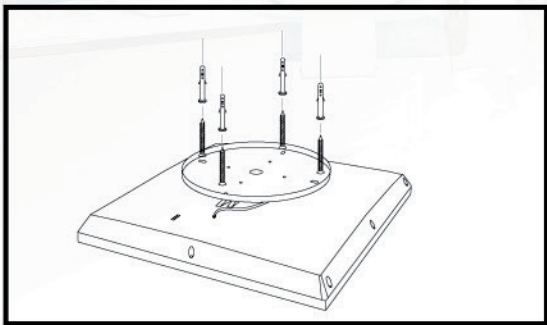
Recessed (in T-grid)



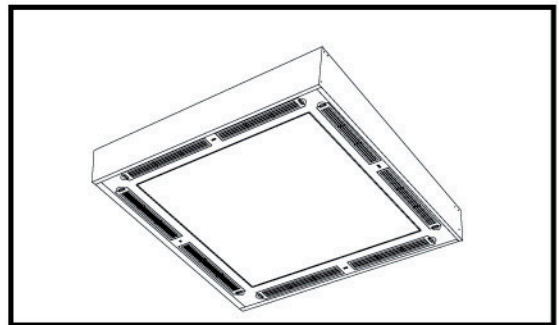
Pendant (with additional wires)



Pole Mounted (with accessories)

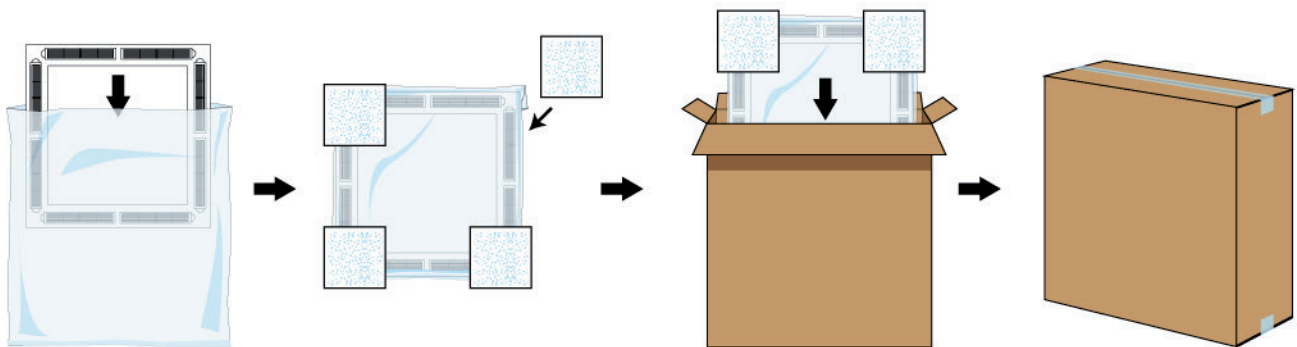


Surface mounted



Surface mounted (with frame)

## Package



Packing Rate	N.W	G.W	CTN Dimesion
1PC/CTN	7.2kg	8.3kg	640*160*640mm

\* We reserve the right to change technical specifications at any without prior notice, the latest specification version of this product can be downloaded on our homepage.

**MC LUM<sup>®</sup>**  
**LUM**

**TF E.COM GMBH**

Am Kräherwald 301,  
70193 Stuttgart,  
Germany

Tel.: +49-711-601711-0  
fax: +49-711-601711-11

[info@tfecom.com](mailto:info@tfecom.com)  
[www.mclum.com](http://www.mclum.com)